



LYRIC STAGE COMPANY OF BOSTON PRESENTS

BECKY'S NEW CAR

DIRECTED BY: LARRY COEN
SCENIC DESIGN BY: SHELLEY H. BARISH

TITLE
PAGE

NOTES:

V1-09/16/13- PRELIM RELEASE;
ESTIMATING ONLY; DO NOT BUILD

V2-09/30/13- UPDATED PRELIM RELEASE;
ESTIMATING ONLY; DO NOT BUILD

V3-10/14/13- FINAL DESIGN;
APPROVED FOR BUILD

DRAFTED BY:

SB

REVISION:

V3-FINAL; FOR BUILD

DATE:

10/14/13

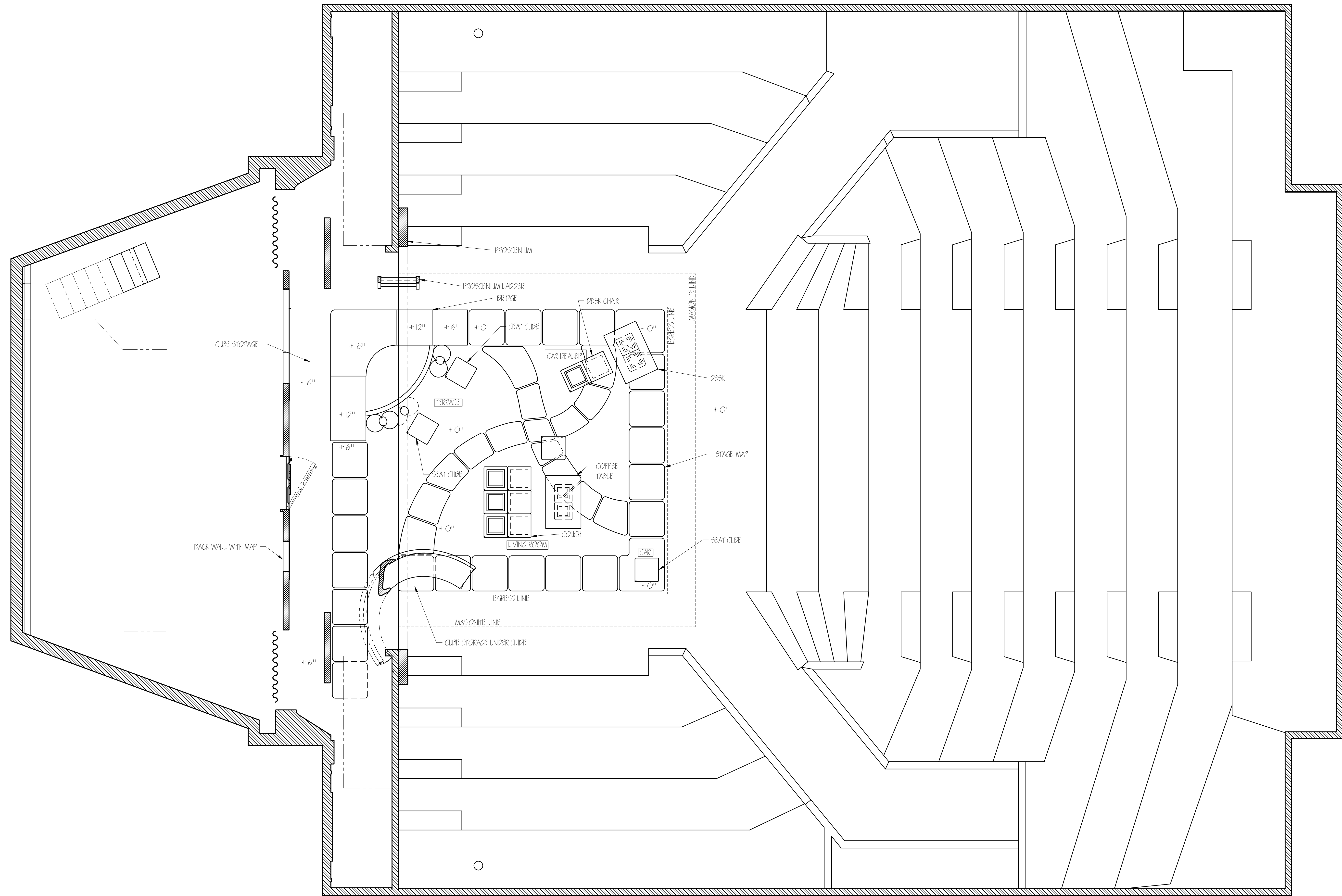
SCALE:

NTS

PAGE:

DO
V3

PAGE NUMBER	TITLE
D0	TITLE PAGE
D1	GROUNDPLAN
D1.5	GROUNDPLAN-CLEAR
D2	CENTERLINE SECTION
D3	STAGE MAP
D4	PROSCENIUM
D5	BACK WALL
D6	BACK WALL SMALL PARTS
D7	OTHER PARTS
D8	FURNITURE ELEVATIONS



LYRIC STAGE COMPANY OF BOSTON PRESENTS

BECKY'S NEW CAR

DIRECTED BY: LARRY COEN
SCENIC DESIGN BY: SHELLEY H. BARISH

GROUND PLAN

OVERALL THEATRE GROUNDPLAN

NOTES:
 V1-09/16/13- PRELIM RELEASE; ESTIMATING ONLY; DO NOT BUILD
 V2-09/30/13- UPDATED PRELIM RELEASE; ESTIMATING ONLY; DO NOT BUILD
 V3-10/14/13- FINAL DESIGN; APPROVED FOR BUILD

DRAFTED BY: SB

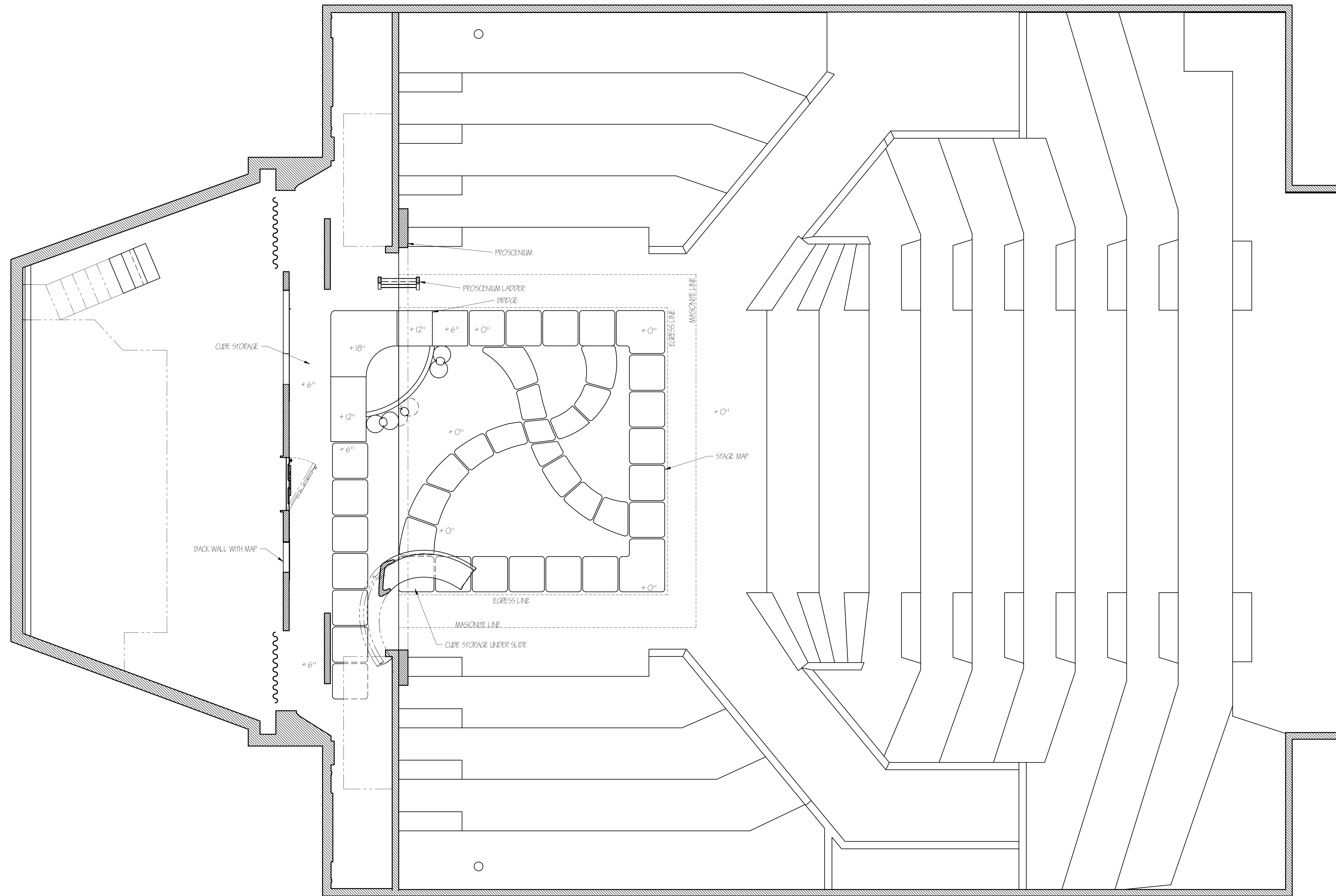
REVISION: V3-FINAL; FOR BUILD

DATE: 10/14/13

SCALE: 3/8" = 1'-0"

PAGE:

D1
V3



LYRIC STAGE COMPANY OF BOSTON PRESENTS

BECKY'S NEW CAR

DIRECTED BY: LARRY COEN
SCENIC DESIGN BY: SHELLEY H. BARISH

GROUND PLAN
CLEAR

GROUND PLAN
WITHOUT FURNITURE

NOTES:

V3-10/14/13- FINAL DESIGN:
APPROVED FOR BUILD

DRAFTED BY:
SB

REVISION:
V3-FINAL; FOR BUILD

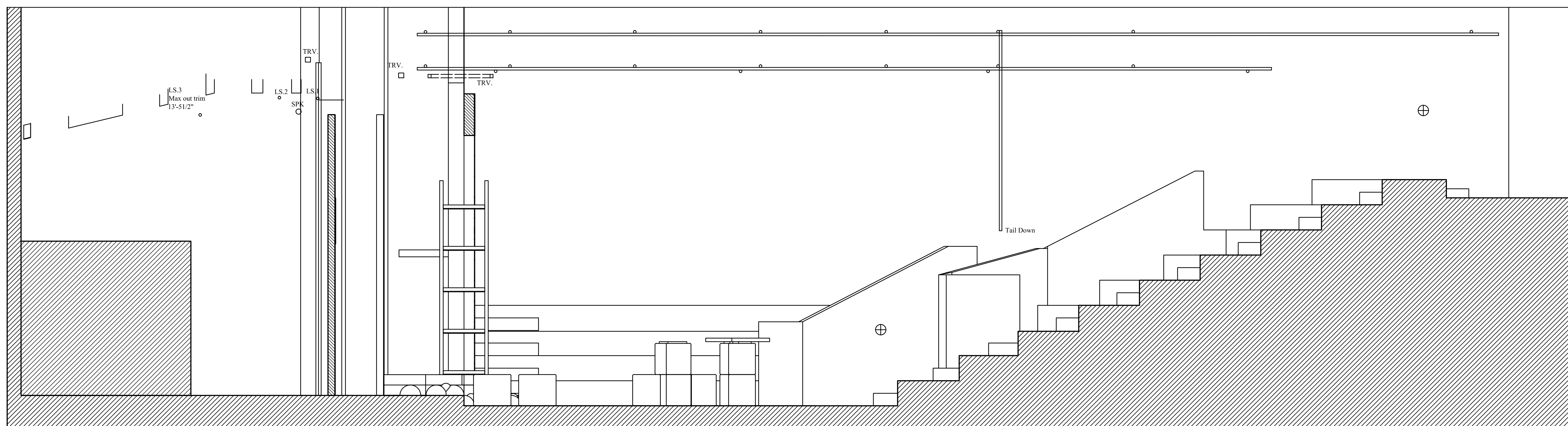
DATE:
10/14/13

SCALE:
3/8" = 1'-0"

PAGE:

D1.5
V3

#1- BECKY'S NEW CAR GROUND PLAN
SCALE: 3/8"=1'-0"



LYRIC STAGE COMPANY OF BOSTON PRESENTS
BECKY'S NEW CAR

DIRECTED BY: LARRY COEN
 SCENIC DESIGN BY: SHELLEY H. BARISH

CENTERLINE SECTION

FULL SECTION

NOTES:

V3-10/14/13- FINAL DESIGN;
 APPROVED FOR BUILD

DRAFTED BY:
 SB

REVISION:
 V3- FINAL; FOR BUILD

DATE:
 10/14/13

SCALE:
 3/8" = 1'-0"

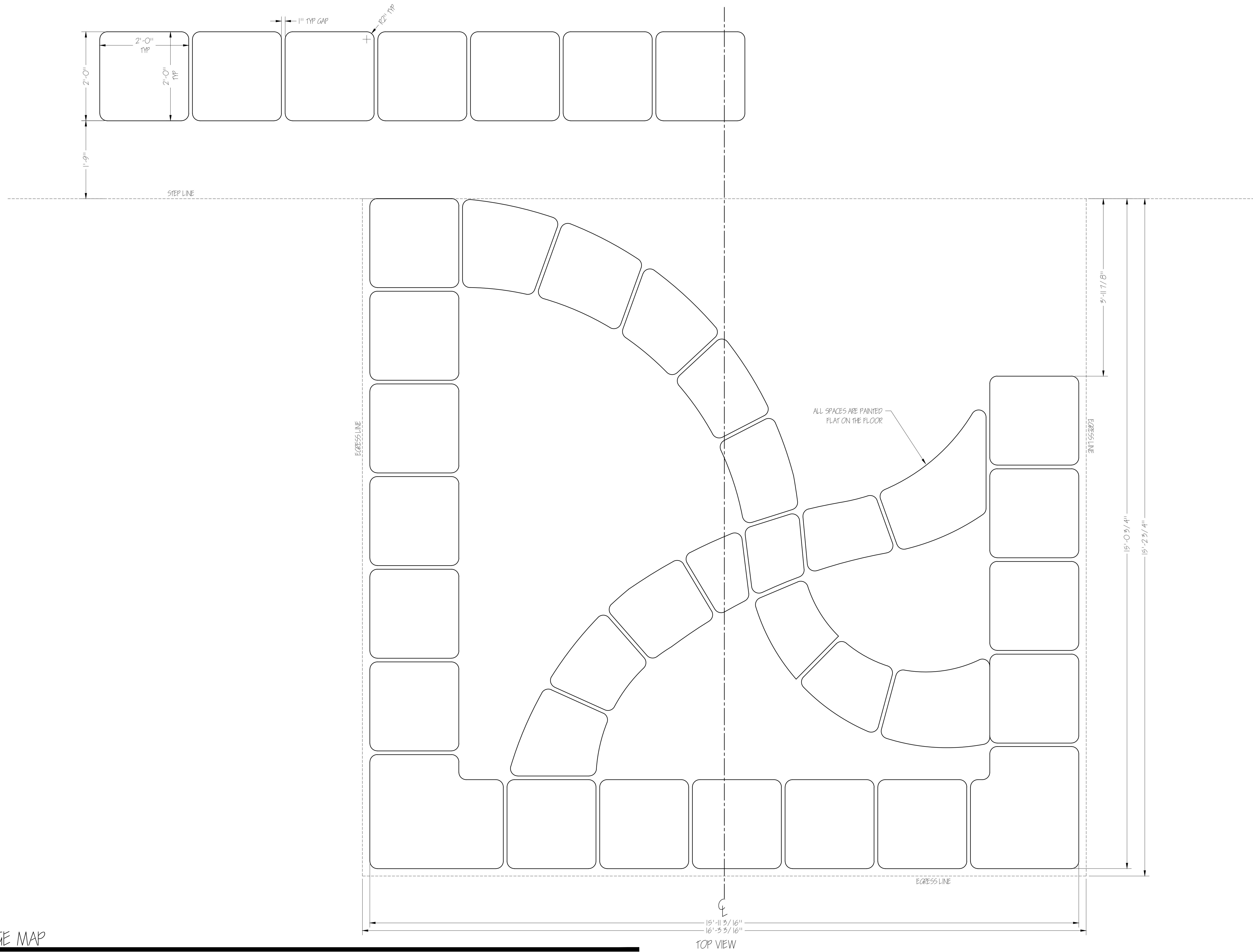
PAGE:

D2
 V3

#1- CENTERLINE SECTION- LOOKING STAGE LEFT

SCALE: 3/8" = 1'-0"

#1- STAGE MAP
SCALE: 1"=1'-0"



LYRIC STAGE COMPANY OF BOSTON PRESENTS
BECKY'S NEW CAR

DIRECTED BY: LARRY COEN
SCENIC DESIGN BY: SHELLEY H. BARISH

STAGE
MAP

ELEVATION

NOTES:
V1-09/16/13- PRELIM RELEASE;
ESTIMATING ONLY; DO NOT BUILD

V2-09/30/13-UPDATED PRELIM RELEASE;
ESTIMATING ONLY; DO NOT BUILD

V3-10/14/13- FINAL DESIGN;
APPROVED FOR BUILD

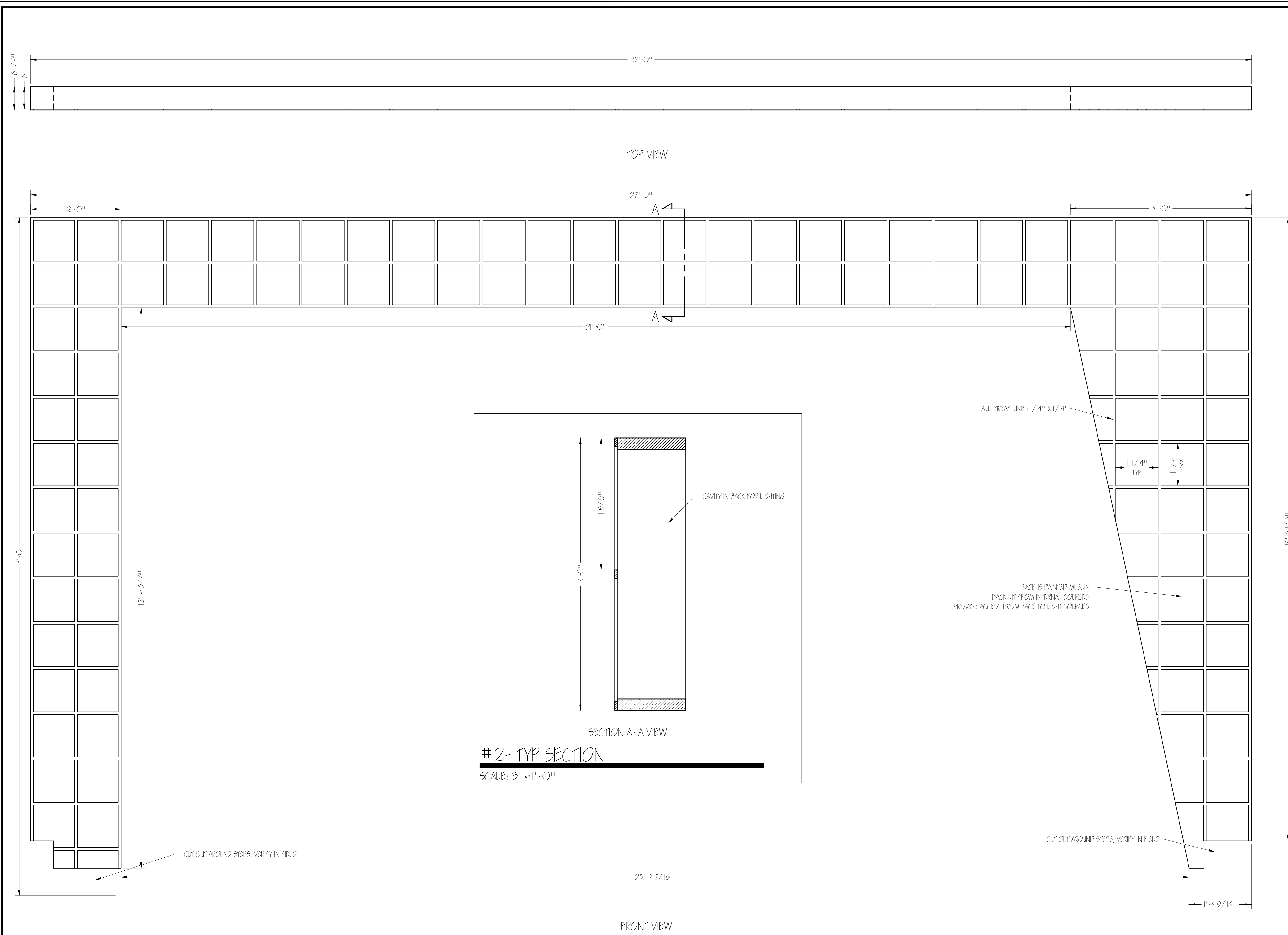
DRAFTED BY:
SB

REVISION:
V3- FINAL; FOR BUILD

DATE:
10/14/13

SCALE:
1"=1'-0"

PAGE:
D3
V3



#1 - PROSCENIUM WALL
SCALE: 1" = 1'-0"

#2 - TYP SECTION
SCALE: 3" = 1'-0"

LYRIC STAGE COMPANY OF BOSTON PRESENTS
BECKY'S NEW CAR

DIRECTED BY: LARRY COEN
SCENIC DESIGN BY: SHELLEY H. BARISH

PROSCENIUM

WALL ASSEMBLY

- NOTES:
- V1-09/13/16 - PRELIM RELEASE; ESTIMATING ONLY; DO NOT BUILD
 - V2-09/30/16 - UPDATED PRELIM RELEASE; ESTIMATING ONLY; DO NOT BUILD
 - V3-10/14/13 - FINAL DESIGN; APPROVED FOR BUILD

DRAFTED BY: SB

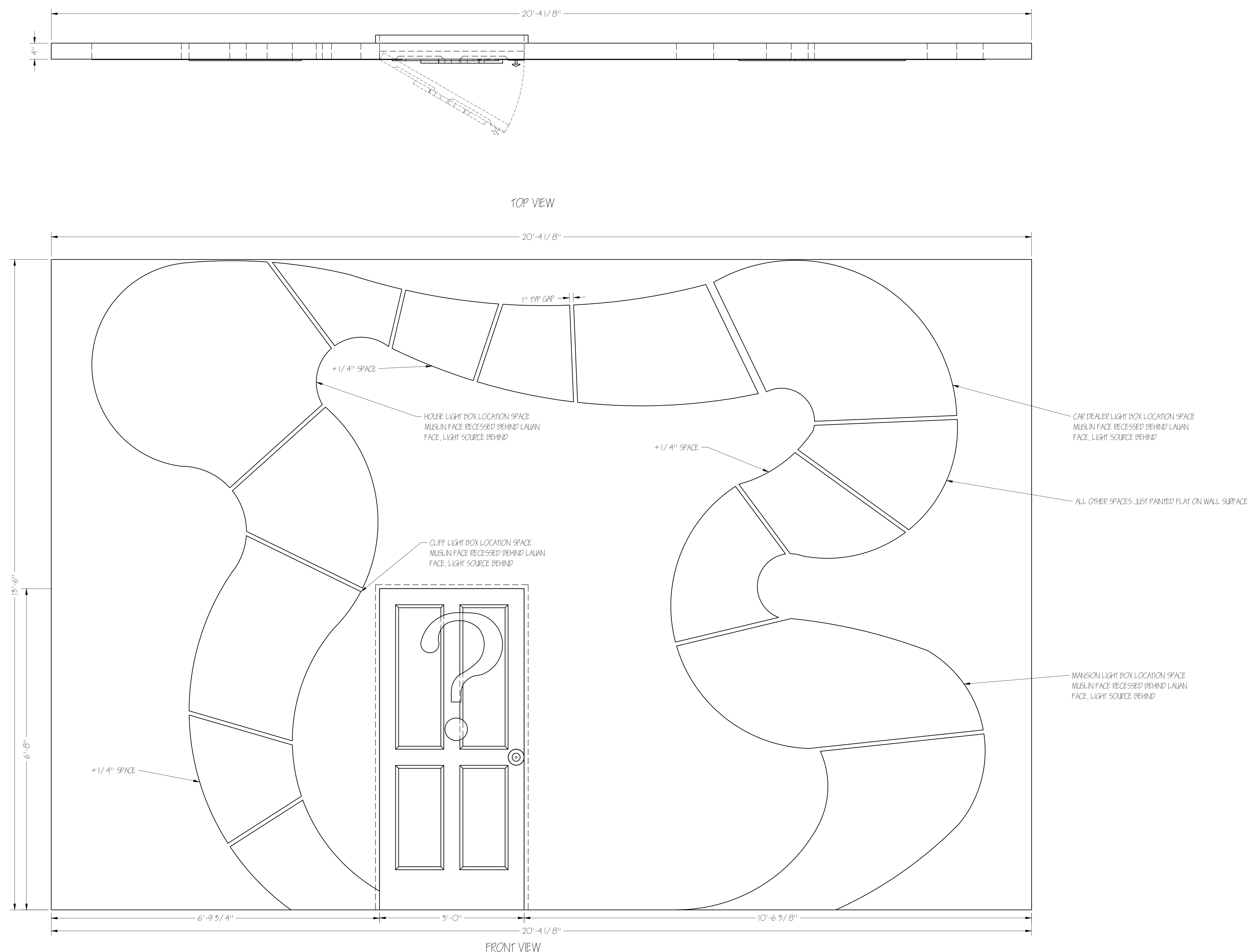
REVISION: V3-FINAL; FOR BUILD

DATE: 10/14/13

SCALE: AS NOTED

PAGE:

D4
V3



#1 - BACK WALL

SCALE: 1" = 1'-0"

LYRIC STAGE COMPANY OF BOSTON PRESENTS

BECKY'S NEW CAR

DIRECTED BY: LARRY COEN
SCENIC DESIGN BY: SHELLEY H. BARISH

BACK WALL

ASSEMBLY

NOTES:

V1-09/16/13- PRELIM RELEASE; ESTIMATING ONLY; DO NOT BUILD

V2-09/30/13- UPDATED PRELIM RELEASE; ESTIMATING ONLY; DO NOT BUILD

V3-10/14/13- FINAL DESIGN; APPROVED FOR BUILD

DRAFTED BY:

SB

REVISION:

V3- FINAL; FOR BUILD

DATE:

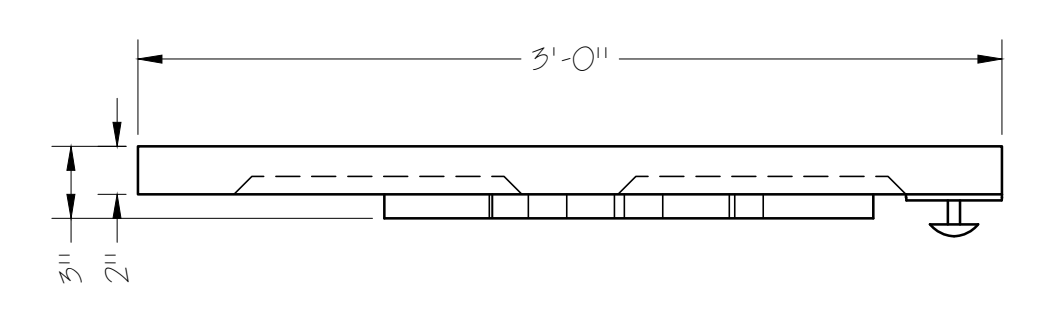
10/14/13

SCALE:

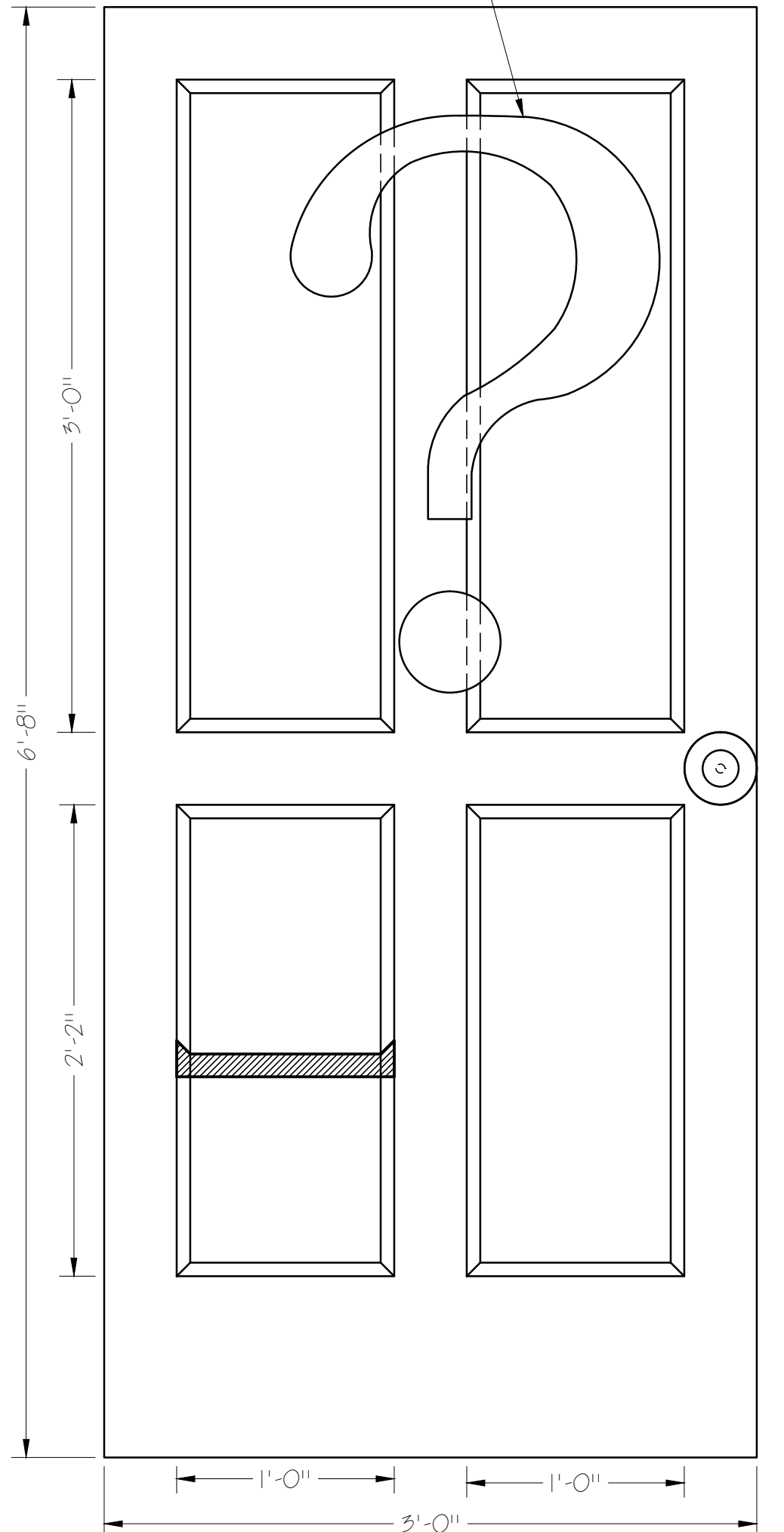
1" = 1'-0"

PAGE:

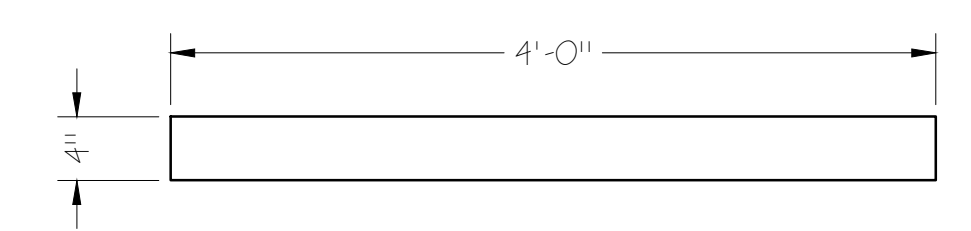
D5
V3



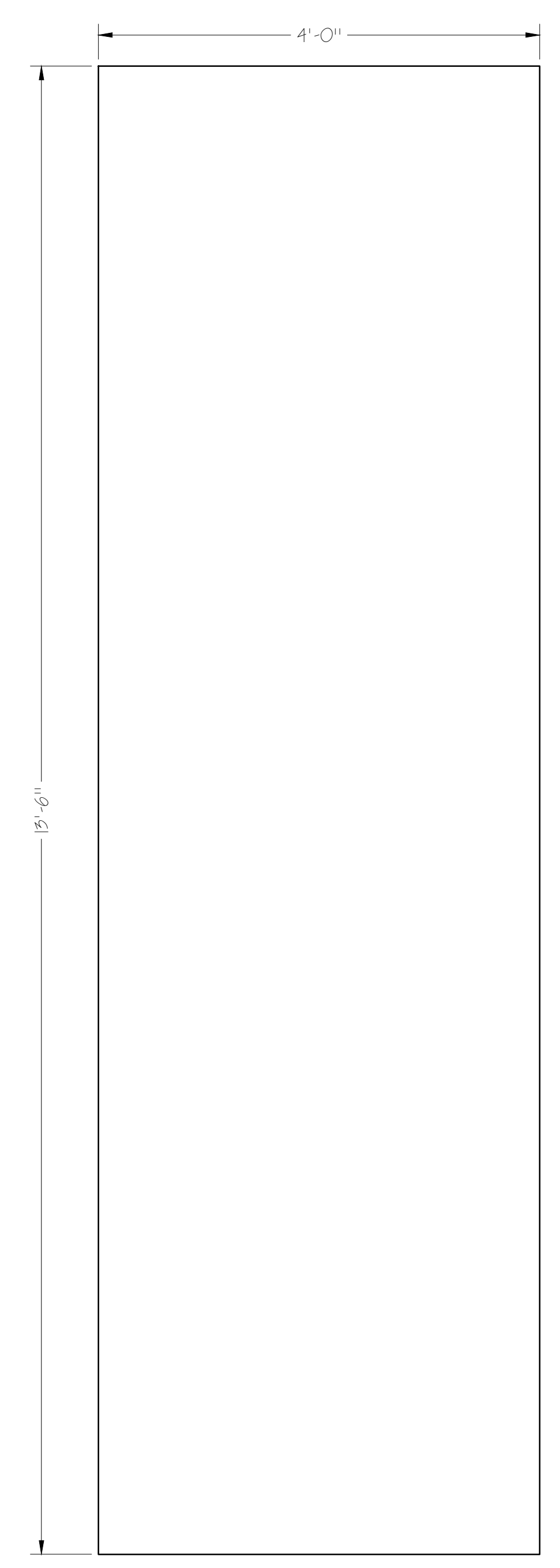
TOP VIEW



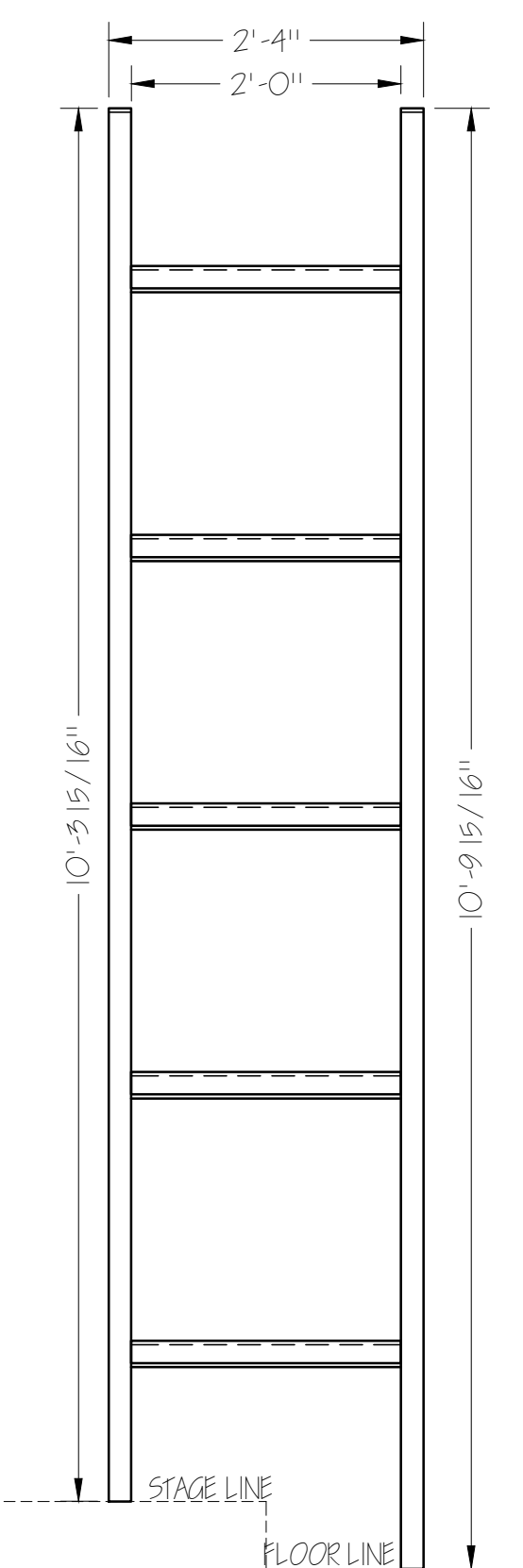
FRONT VIEW



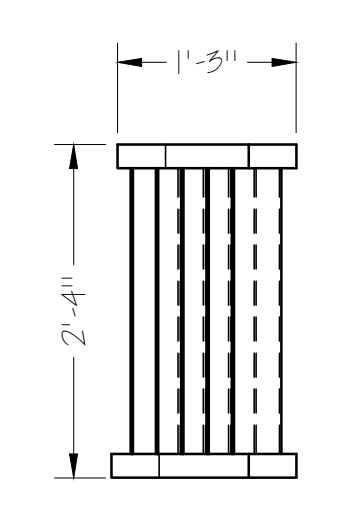
TOP VIEW



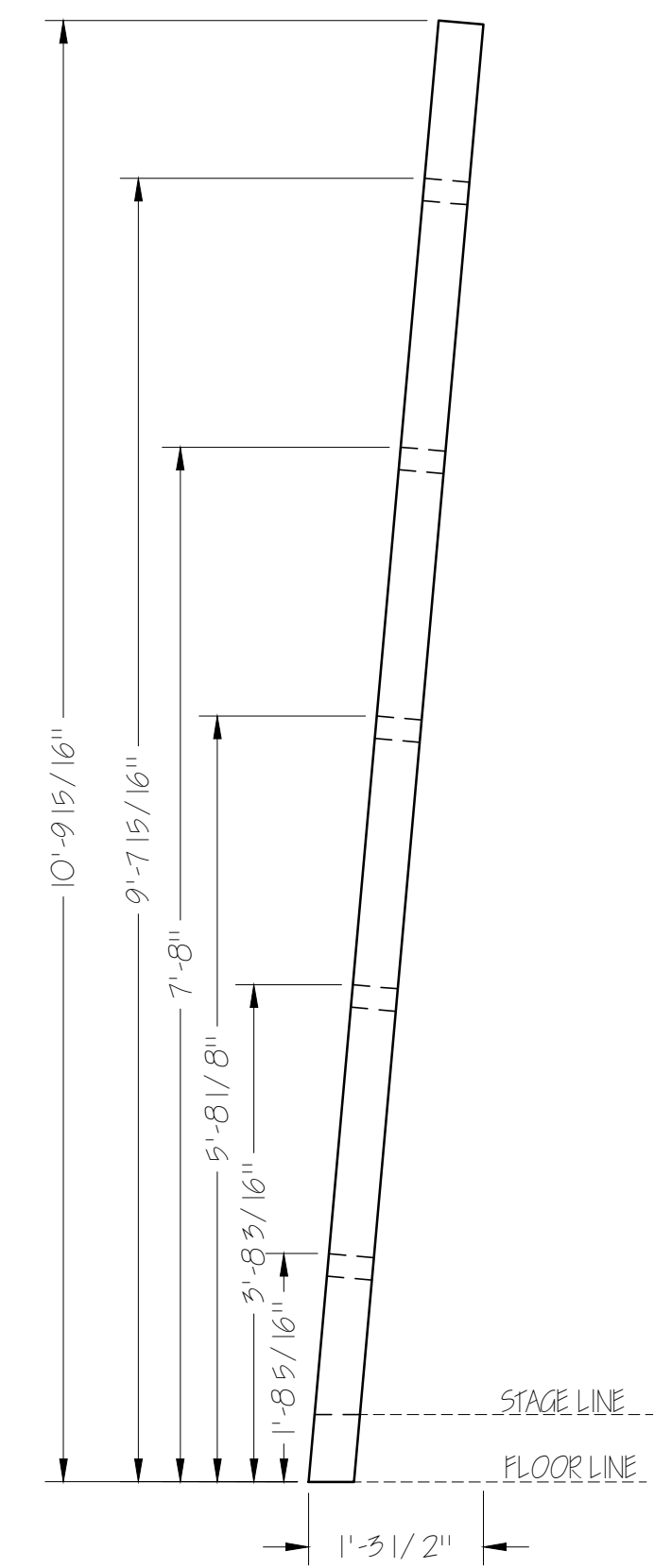
FRONT VIEW



LEFT SIDE VIEW



TOP VIEW



FRONT VIEW

#1- BACK WALL DOOR
SCALE: 1 1/2" = 1'-0"

#2- BACK WALL RETURNS- BUILD 2 (SR & SL)
SCALE: 1" = 1'-0"

#3- PROSCENIUM LADDER
SCALE: 3/4" = 1'-0"

LYRIC STAGE COMPANY OF BOSTON PRESENTS
BECKY'S NEW CAR
DIRECTED BY: LARRY COEN
SCENIC DESIGN BY: SHELLEY H. BARISH

BACK WALL

SMALL PARTS

NOTES:
V1-09/16/15- PRELIM RELEASE; FOR ESTIMATING ONLY; DO NOT BUILD

V2-09/30/15- UPDATED PRELIM RELEASE; ESTIMATING ONLY; DO NOT BUILD

V3-10/14/15- FINAL DESIGN; APPROVED FOR BUILD

DRAFTED BY:
SB

REVISION:
V3- FINAL; FOR BUILD

DATE:
10/14/13

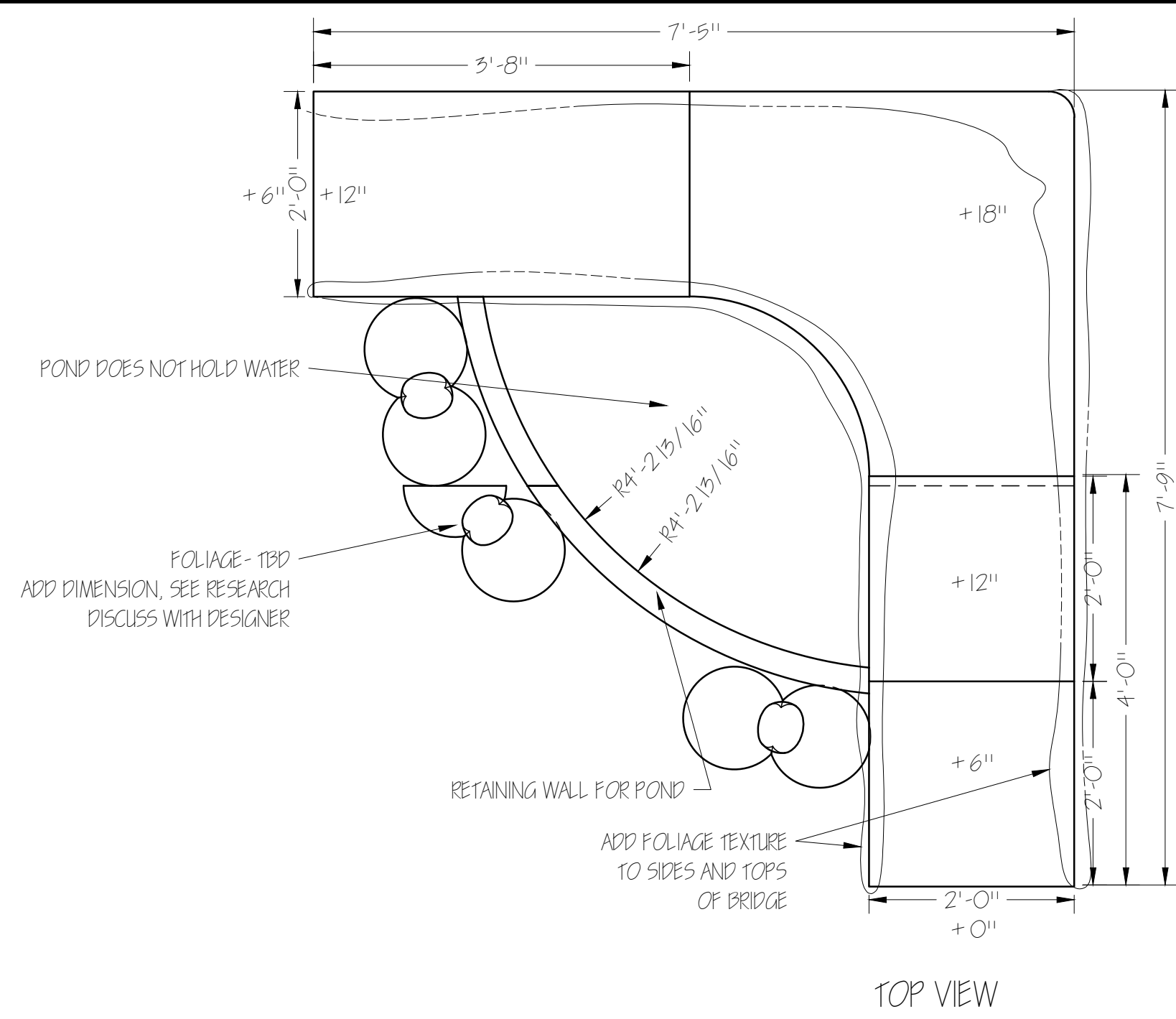
SCALE:
AS NOTED

PAGE:

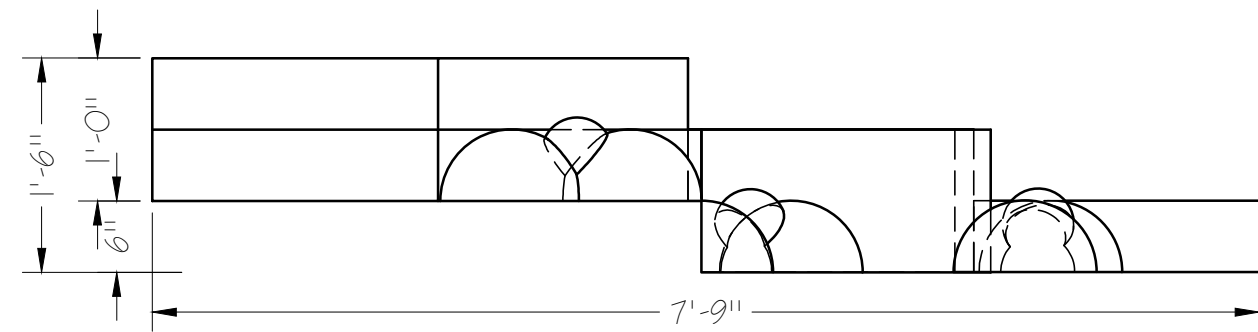
D6
V3



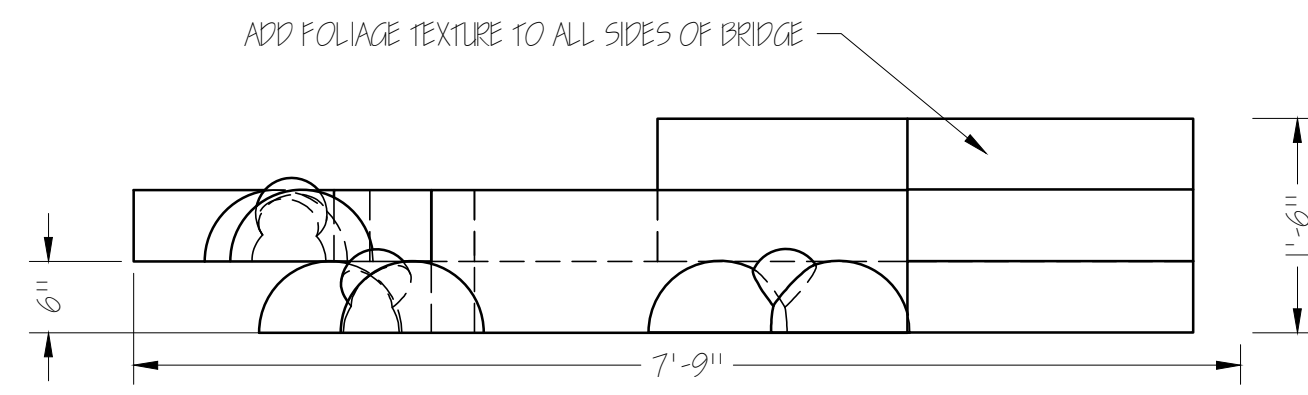
FOLIAGE REFERENCE IMAGE
DISCUSS WITH DESIGNER



TOP VIEW



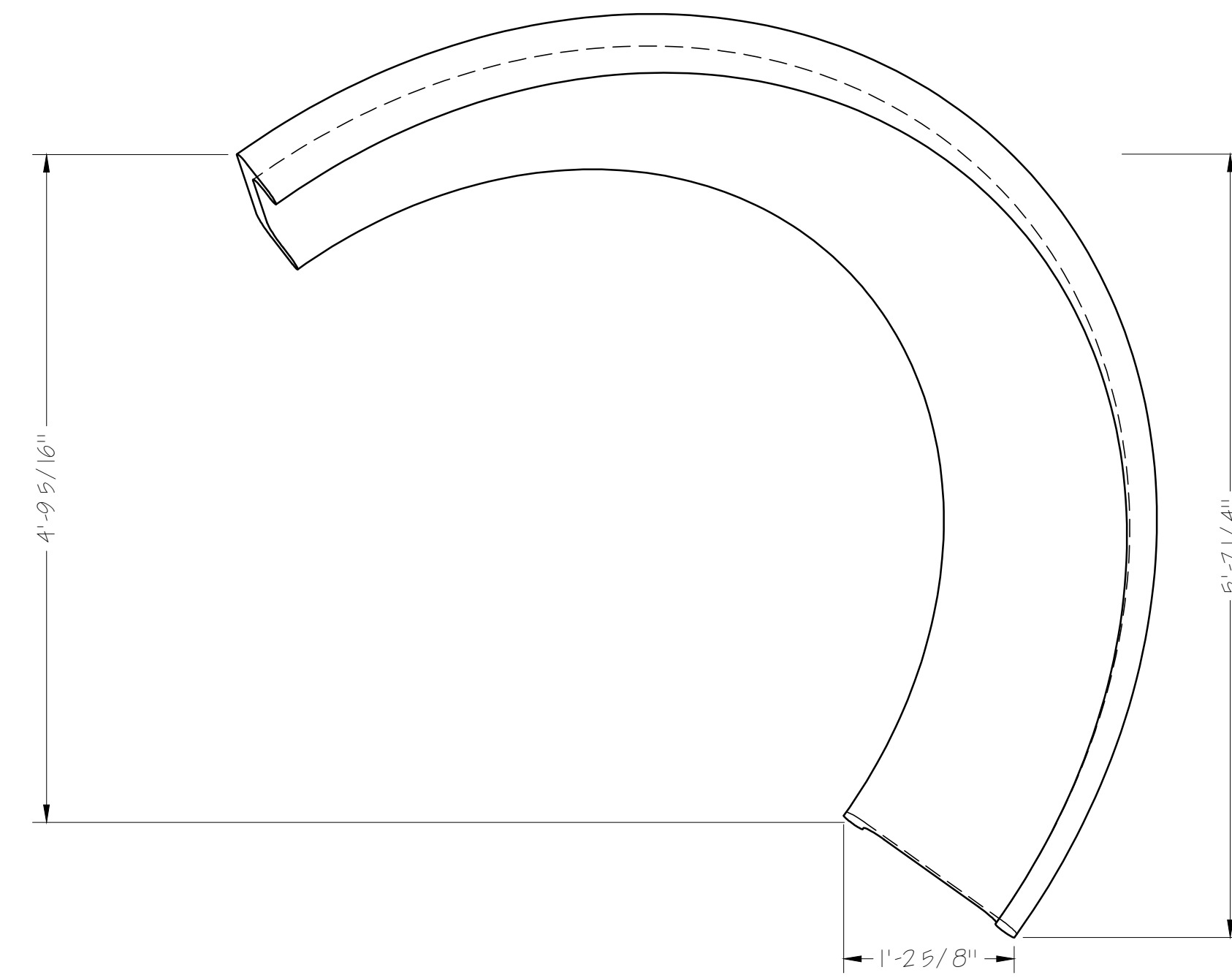
LEFT SIDE VIEW



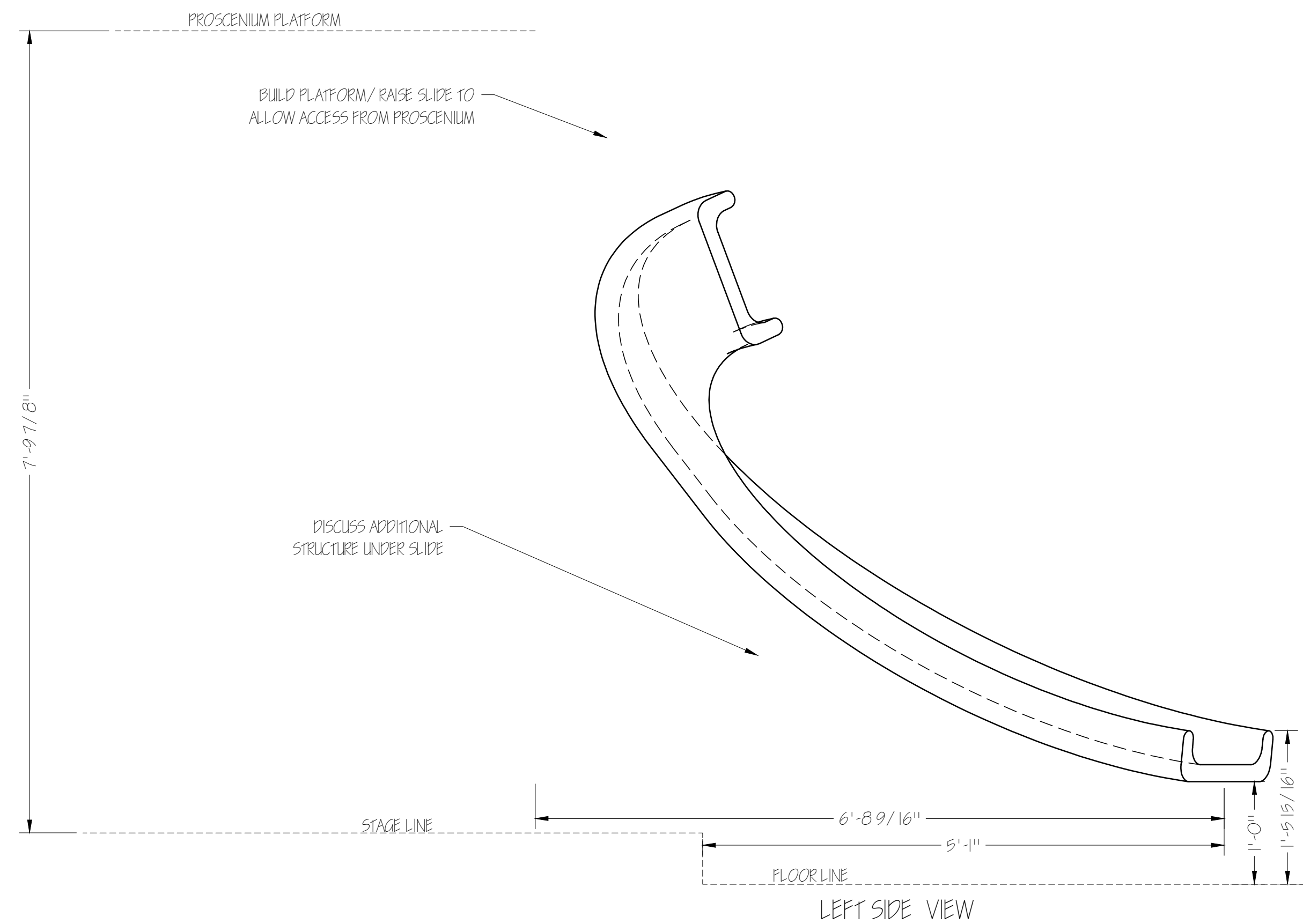
FRONT VIEW

#1 - BRIDGE

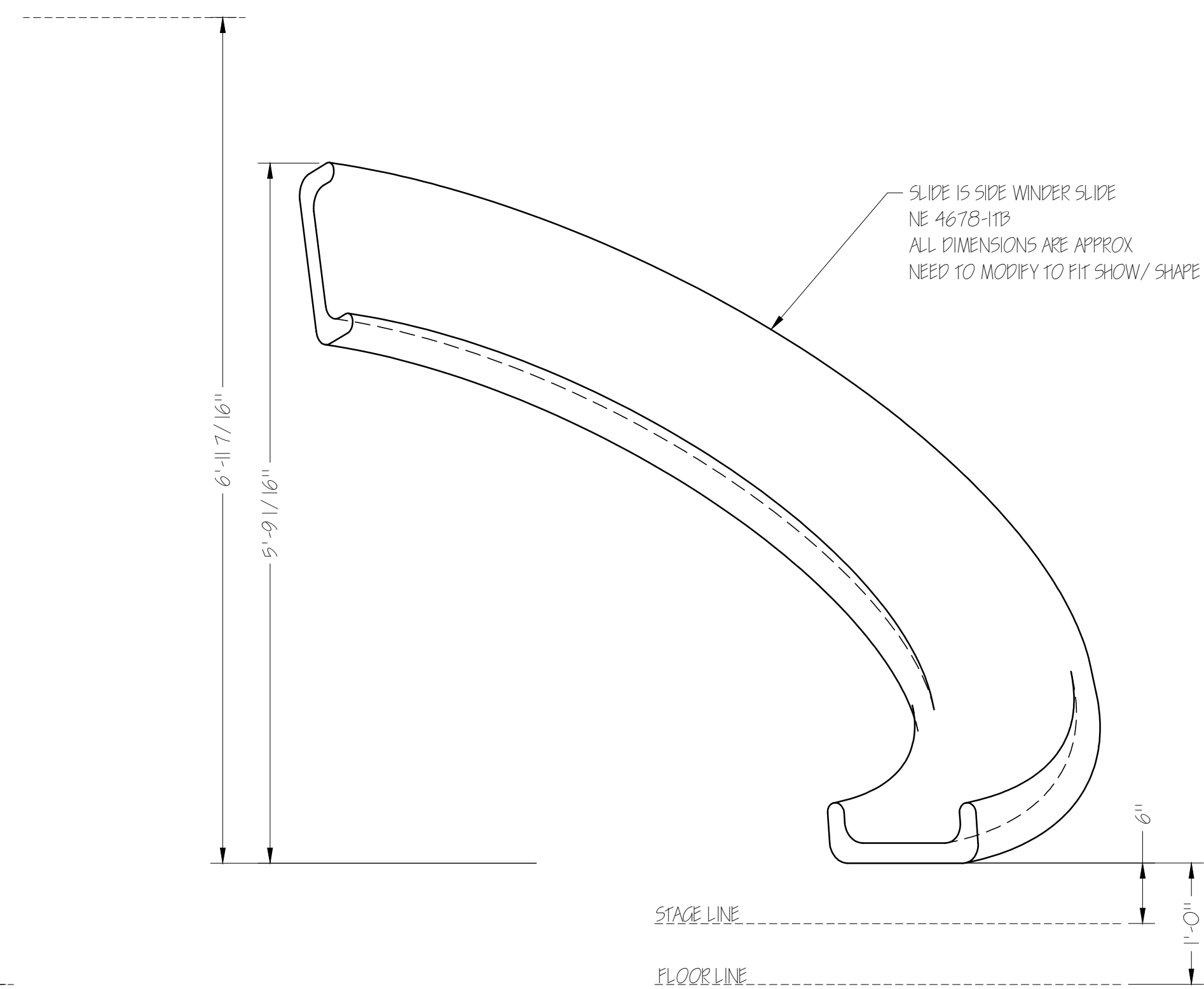
SCALE: 3/4" = 1'-0"



TOP VIEW



LEFT SIDE VIEW



FRONT VIEW

#2 - SLIDE

SCALE: 1" = 1'-0"

L YRIC STAGE COMPANY OF BOSTON PRESENTS

BECKY'S NEW CAR

DIRECTED BY: LARRY COEN
SCENIC DESIGN BY: SHELLEY H. BARISH

BRIDGE AND
SLIDE

ELEVATIONS

NOTES:

V1-09/16/15- PRELIM RELEASE;
ESTIMATING ONLY; DO NOT BUILD

V2-09/30/15- UPDATED PRELIM RELEASE;
ESTIMATING ONLY; DO NOT BUILD

V3-10/14/15- FINAL DESIGN;
APPROVED FOR BUILD

DRAFTED BY:

SB

REVISION:

V3- FINAL; FOR BUILD

DATE:

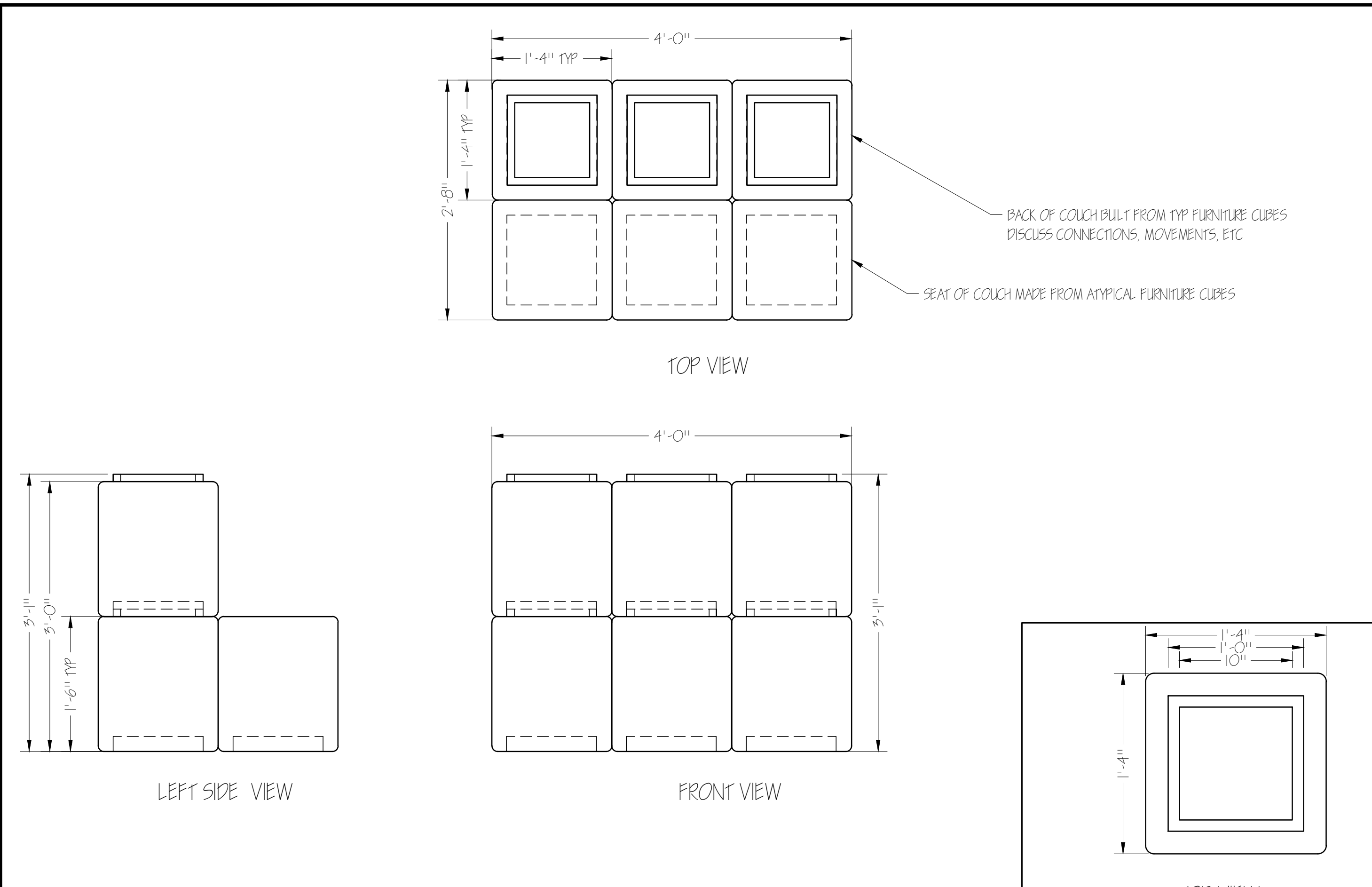
10/14/13

SCALE:

AS NOTED

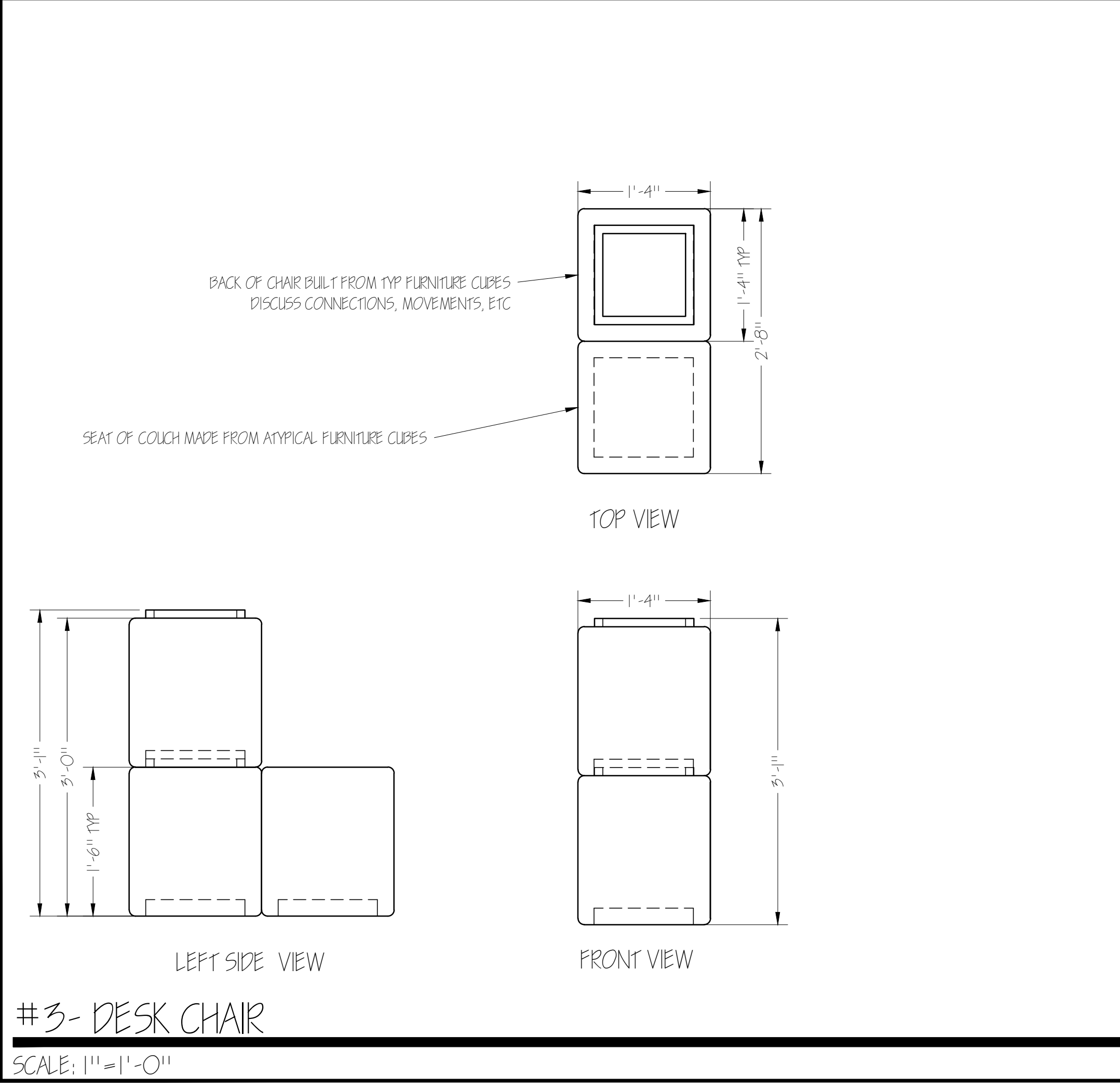
PAGE:

D7
V3



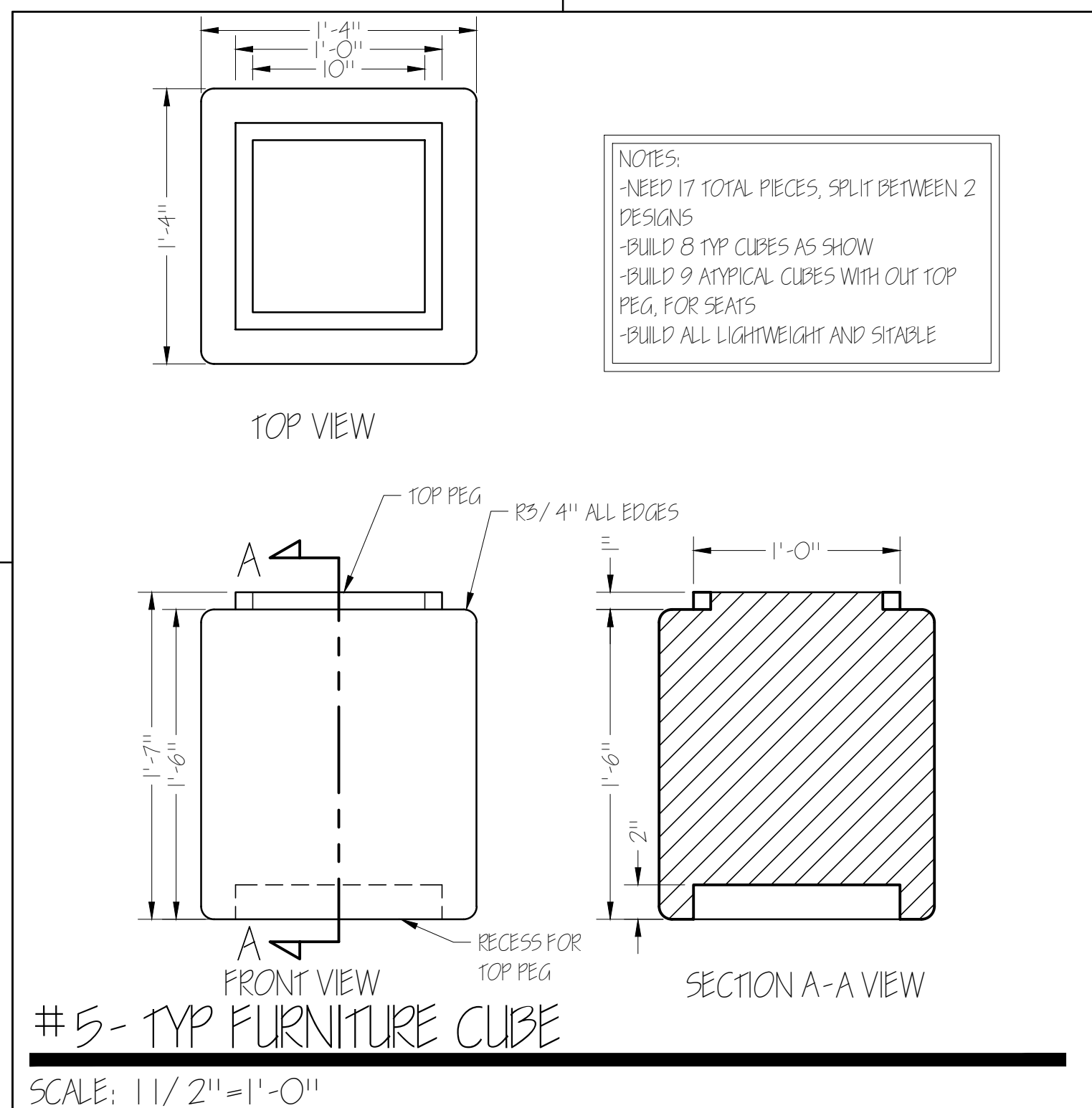
#1- COUCH

SCALE: 1"=1'-0"



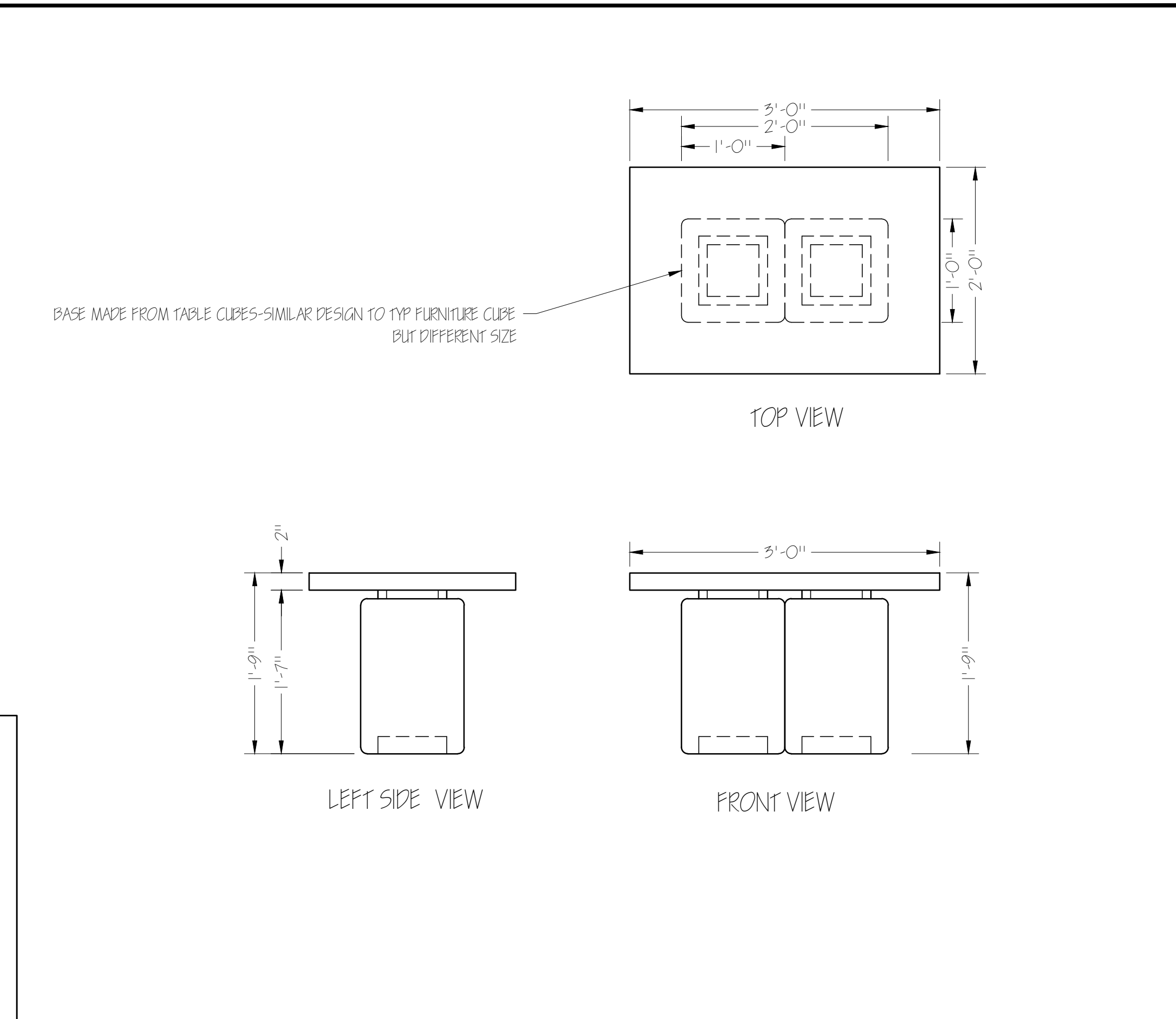
#3- DESK CHAIR

SCALE: 1"=1'-0"



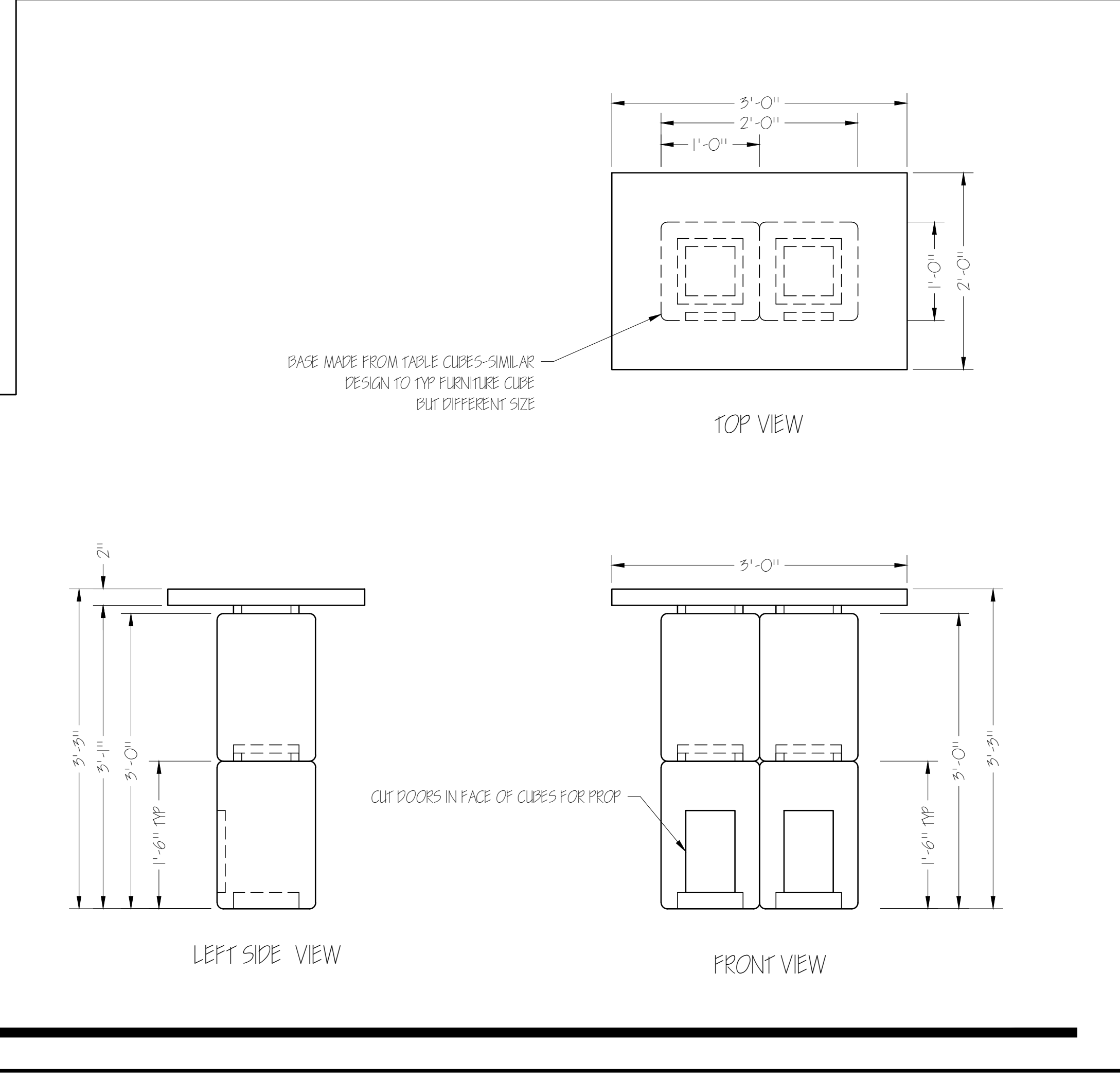
#4- DESK

SCALE: 1"=1'-0"



#2- COFFEE TABLE

SCALE: 1"=1'-0"



LYRIC STAGE COMPANY OF BOSTON PRESENTS
BECKY'S NEW CAR
DIRECTED BY: LARRY COEN
SCENIC DESIGN BY: SHELLEY H. BARISH

FURNITURE ELEVATIONS

ASSEMBLY AND DETAILS

NOTES:
V1-09/16/15- PRELIM RELEASE; ESTIMATING ONLY; DO NOT BUILD
V2-09/30/15- UPDATED PRELIM RELEASE; ESTIMATING ONLY; DO NOT BUILD
V3-10/14/15- FINAL DESIGN; APPROVED FOR BUILD

DRAFTED BY: SB
REVISION: V3- FINAL; FOR BUILD
DATE: 10/14/13
SCALE: AS NOTED
PAGE:

D8
V3